



400 Series Regulators

492 SERIES

The 492 Series regulators are intended for primary pressure control of non-corrosive gases at a maximum inlet pressure of 6000 PSIG (405 BAR).

- Single Stage
- Piston-Sensed
- Ultra-High Pressure
- Chrome-Plated Brass Barstock Body

Typical Applications

- Airplane strut charging
- Research and development laboratories
- Chemical manufacturing
- Aerospace hydraulic systems
- Pharmaceutical manufacturing
- Gauge calibration



492 5952-677 shown

Features

- Large Piston Sensor**
Safely control pressures to 6000 PSIG (405 BAR)
- CAPSULE® Seat**
Increased serviceability and life
- Low Wetted Surface Area**
Minimal purge requirements
- Field-Adjustable Pressure Limit**
Safeguard downstream equipment
- Chrome-Plated Brass Barstock Body**
Smooth surface finish
- Front and Rear Panel-Mountable**
Versatile system configuration
- Pressure Ranges 0-750 to 0-6000 PSIG (0-50 to 0-405 BAR)**
Broad range of applications
- Six Port Design**
Flexible installation alternatives

Materials

- Body**
Chrome-plated brass barstock
- Bonnet**
Chrome-plated brass barstock
- Seat**
PCTFE 3000 and 4500 PSIG (210 and 310 BAR) inlet
Arlon® (PEEK) (6000 PSIG inlet)
- Piston**
Brass barstock
- Filter**
10 micron sintered bronze
- Internal Seals**
Viton® (encapsulated)

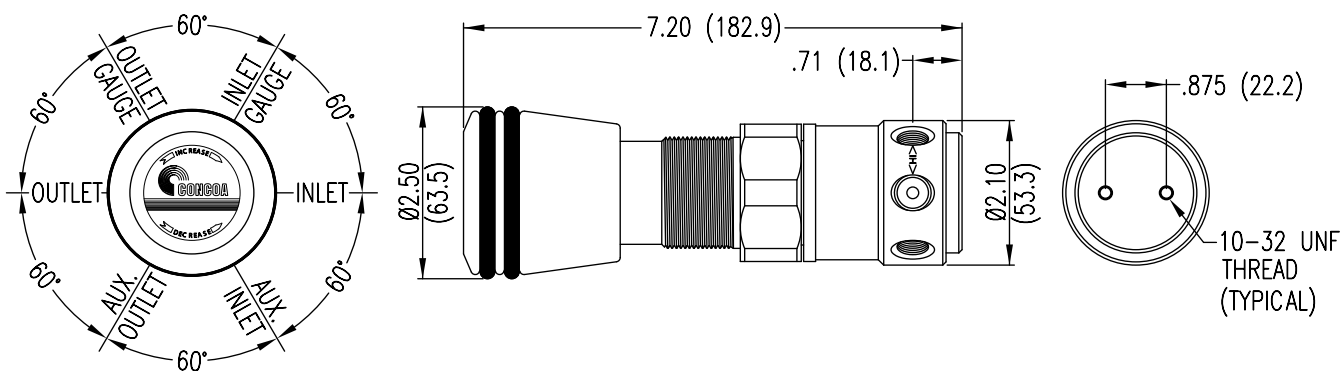
Specifications

- Maximum Inlet Pressure**
6000 PSIG (405 BAR)
- Temperature Range**
-40°F to 140°F (-40°C to 60°C)
- Gauges**
2 1/2" (53mm) diameter chrome-plated brass
- Ports**
1/4" FPT
- Cv**
0.1
See page 190 for flow curves
- Weight (492 4952-677)**
5.59 lbs. (2.54 kg)

400 Series Regulators



Installation Dimensions



Ordering Information

Series	492	A	B	C	D	-CON	Options	
	Outlet Pressure	Outlet Gauge	Inlet Maximum	Inlet Gauge	Outlet Assemblies	Assembly Gauges	Inlet Connections	Installed Options
	1: 0-750 PSIG (50 BAR)	0-1000 PSIG/ 0-70 BAR	0: 6000 PSIG (405 BAR)*	None	0: 1/4" FPT	0: Bare body†	CGA DIN 477 BS 341 and others available	B: Protocol alarm station (110/220 VAC)
	2: 0-1500 PSIG (0-100 BAR)	0-4000 PSIG/ 0-275 BAR	3: 3000 PSIG (210 BAR)	0-4000 PSIG/ 0-275 BAR	1: 1/4" MPT	1: Standard assembly (PSIG/kPa gauges)		C: Protocol switchover station
	3: 0-2500 PSIG (0-170 BAR)	0-4000 PSIG/ 0-275 BAR	8: 5500 PSIG (380 BAR)	0-6000 PSIG/ 0-405 BAR	2: 1/4" tube fitting	2: Standard assembly (BAR/PSIG gauges)		H: Protocol switchover station with alarm (110/220 VAC)
	4: 0-4500 PSIG (0-310 BAR)*	0-6000 PSIG/ 0-405 BAR	9: 6000 PSIG (405 BAR)	0-10,000 PSIG/ 0-700 BAR	5: Needle valve 1/4" MPT	6: Mirror image (BAR/kPa gauges)		M: Protocol station
	5: 0-6000 PSIG (0-405 BAR)†	0-10,000 PSIG/ 0-700 BAR	*Only valid if D = 1 or 2 (outlet gauge specified)		6: 1/8" tube fitting	7: Mirror image (BAR/PSIG gauges)		Q: Protocol purge station*
	6: 0-3500 PSIG (0-240 BAR)*	0-6000 PSIG/ 0-405 BAR			7: 3/8" tube fitting	†B must be 3, 8 or 9 (maximum pressure specified)		*3000 PSIG (210 BAR) maximum inlet only valid if B=3
	*Not available with 3000 PSIG (210 BAR) maximum inlet pressure				F: Needle valve 1/4" tube fitting			
	†Only available with 6000 PSIG (405 BAR) maximum inlet pressure				M: 6mm tube fitting			
					<i>Note: Outlet fittings and outlet valves are 316 stainless steel</i>			

Related Options

Options	Order No.	Description
Panel mount kit	830 6483	To mount the regulator using bonnet threads. Material: Chrome-plated brass

