

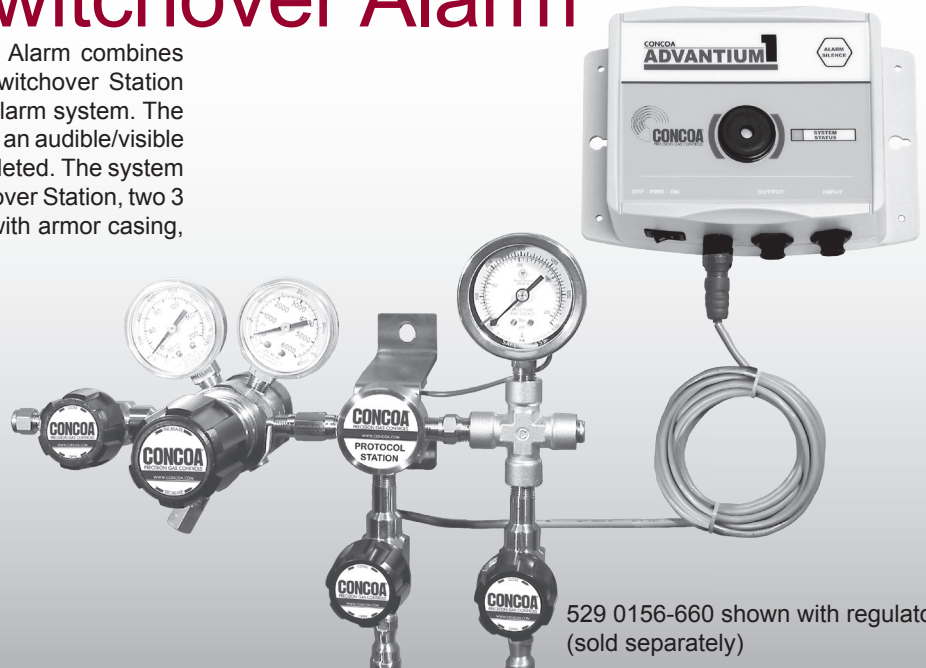


# Manifolds

# 529 SERIES

## Protocol Switchover Alarm

The 529 Series Protocol Switchover Alarm combines all of the features of the Protocol Switchover Station with the added security of a remote alarm system. The Protocol Switchover Alarm will provide an audible/visible warning when a cylinder is nearly depleted. The system comes complete with Protocol Switchover Station, two 3 ft (900mm) all stainless steel hoses with armor casing, two valves, and remote alarm.



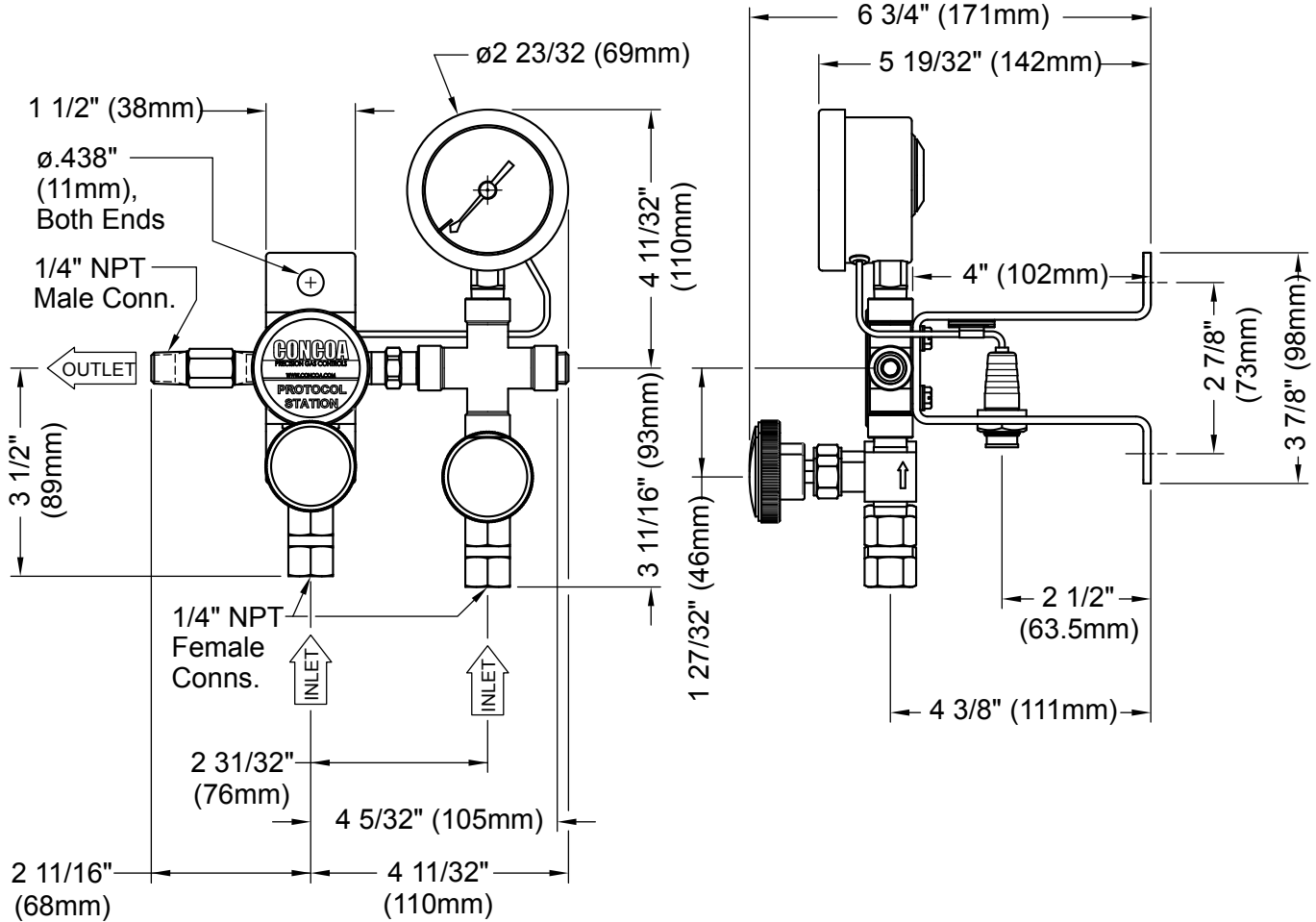
529 0156-660 shown with regulator (sold separately)

Features	Materials	Specifications
<p><b>Plugged Port in Gas Block</b> Facilitates purging</p> <p><b>Integral Check Valve at Inlet</b> No internal contamination during cylinder change</p> <p><b>Bracket Mounts</b> Attaches conveniently to any surface</p> <p><b>Pressure Switch Gauge</b> Provides visible warning of cylinder depletion</p> <p><b>Remote Alarm</b> Provides audible and visible warning of cylinder depletion</p> <p><b>Connections</b> CGA, DIN 477, BS 341 and others available</p>	<p><b>Protocol Tee</b> Brass, chrome-plated brass or 316L stainless steel barstock</p> <p><b>Flexible Hoses</b> 316L stainless steel inner core Monel® inner core for oxygen service PTFE inner core for 6000 PSIG (405 BAR)</p> <p><b>Inlet Connection</b> 316L stainless steel or brass barstock</p> <p><b>Check Valve "O" Ring</b> Viton® (or neoprene for ammonia)</p> <p><b>Bracket</b> 304 stainless steel</p>	<p><b>Maximum Inlet Pressure</b> 3500 PSIG (240 BAR) 4500 PSIG (310 BAR) optional 6000 PSIG (415 BAR) optional</p> <p><b>Temperature Range</b> -40°F to 140°F (-40°C to 60°C)</p> <p><b>Weight (Single Stage)</b> 4.4 lbs. (2 kg)</p> <p><b>Weight (Dual Stage)</b> 4.8 lbs. (2.2 kg)</p> <p><b>Intrinsic Safety Barriers</b> Required for flammable gas service or for use in hazardous environments</p>

# Manifolds



## Installation Dimensions



529 0157 Dimensions Shown

## Ordering Information

Order Number	Description	Inlet Gauge
Add letter "H" after any regulator order number	For example, to order a 422 1331-580 with a protocol switchover alarm (110/220 VAC), the order number would be 422 1331-580H	
<b>To order separately:</b>		
529 0151-CON	Protocol switchover alarm for brass regulators (110/220 VAC)	600 PSIG (42 BAR)
529 0152-CON	Protocol switchover alarm for chrome-plated brass regulators (110/220 VAC)	600 PSIG (42 BAR)
529 0153-CON	Protocol switchover alarm for 316L stainless steel regulators (110/220 VAC)	600 PSIG (42 BAR)
529 0154-CON	Protocol switchover alarm for brass regulators (110/220 VAC)	3500 PSIG (240 BAR)
529 0155-CON	Protocol switchover alarm for chrome-plated brass regulators (110/220 VAC)	3500 PSIG (240 BAR)
529 0156-CON	Protocol switchover alarm for 316L stainless steel regulators (110/220 VAC)	3500 PSIG (240 BAR)
529 0157-CON	Protocol switchover alarm for brass regulators (110/220 VAC)	4500 PSIG (310 BAR)
529 0158-CON	Protocol switchover alarm for chrome-plated brass regulators (110/220 VAC)	4500 PSIG (310 BAR)
529 0159-CON	Protocol switchover alarm for 316L stainless steel regulators (110/220 VAC)	4500 PSIG (310 BAR)
529 0160-CON	Protocol switchover alarm for 316L stainless steel regulators (110/220 VAC)	6000 PSIG (405 BAR)